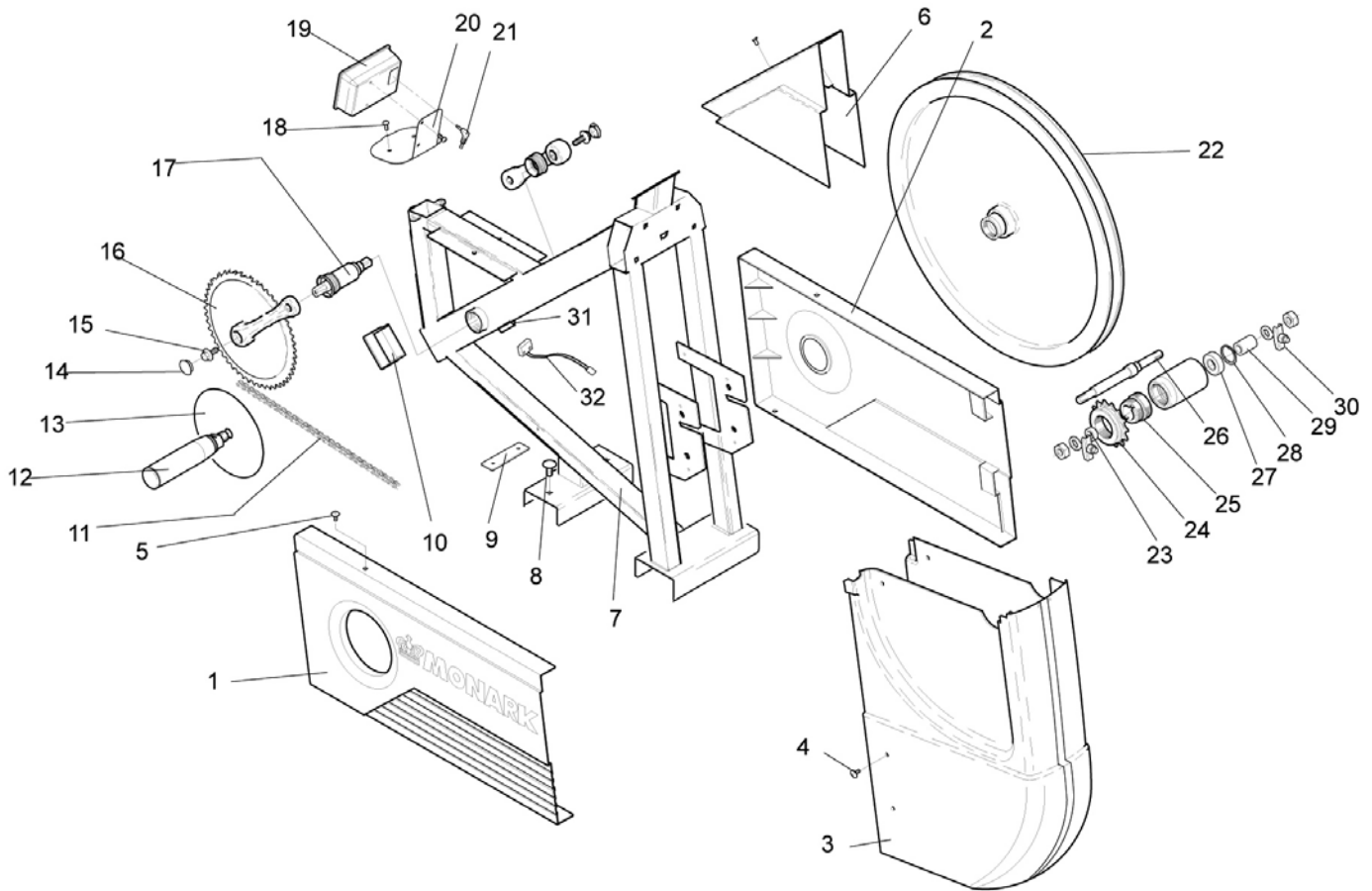


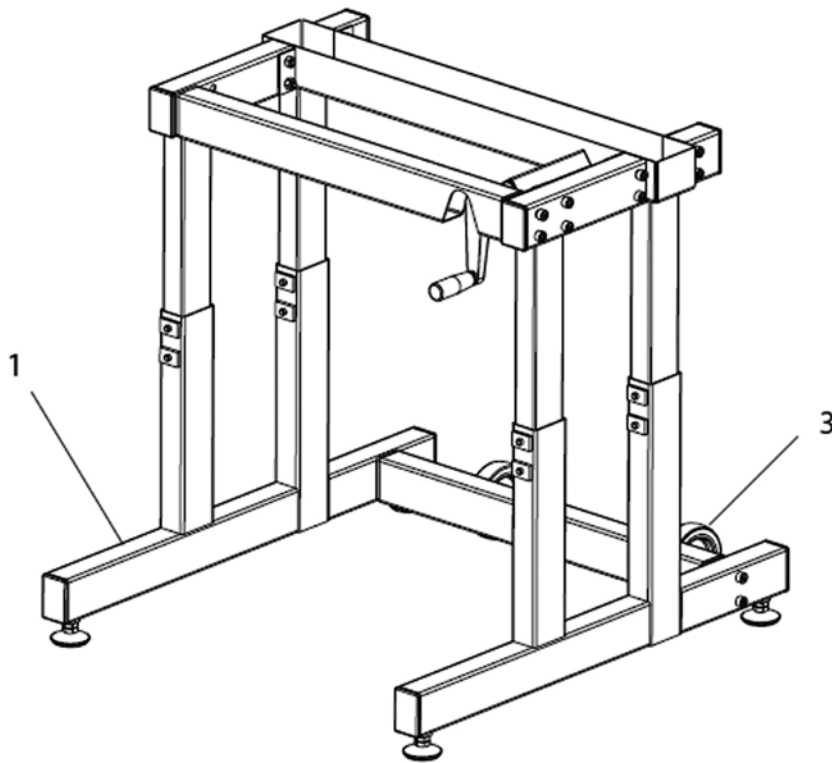
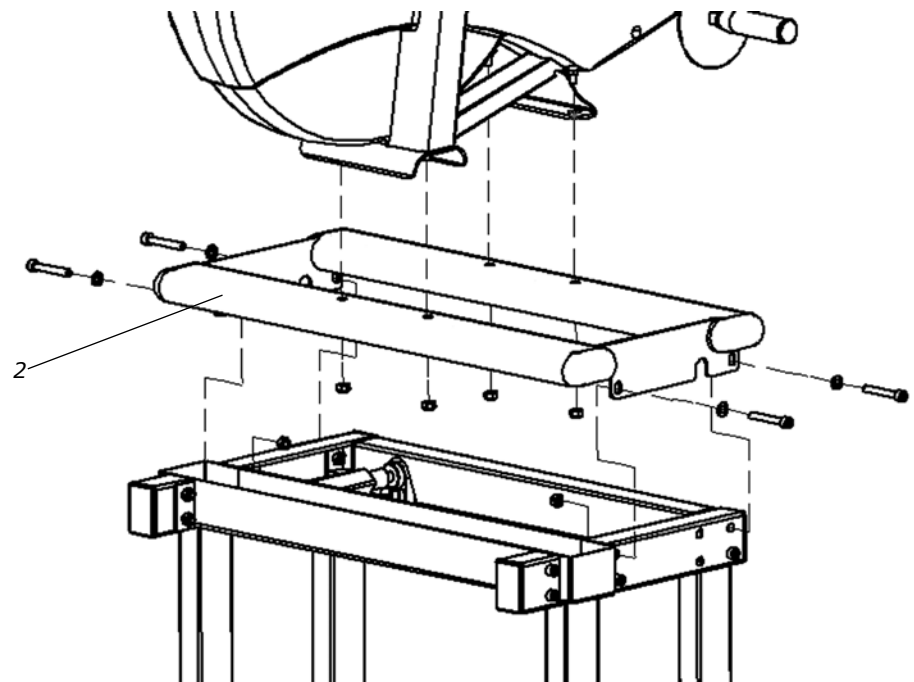
From serial no: WBK285907H

Pos.	Qty.	Art. No.	Description	Pos.	Qty.	Art. No.	Description
1	1	9339-38	Frame for equipment	34	1	9339-51	Terminal
2	4	9300-21	Screw MVBF 6x16 mm	35	1	9339-27	Cable
3	4	5843-9	Nut M6	36	1	9339-52	Base unit
4	1	9339-59	Handles	37	6	5673-9	Screw M5x12
5	4	5673-9	Screw M5	38	4	5675-9	Screw M5x6,5
6	1	9339-100	Kp-scale	39	1	9339-25	Connection device
7	1	9339-21	Screw M6	40	2	9305-42	Screw MCS M3x30 fzb
8	1	5880	Washer	41	2	5840	Nut M3
9	1	5862	Washer	42	1	9339-56	Card for metronome
10	1	9000-102	Wing nut	43	4	9339-49	Screw MCS M3x10 fzb
11	1	9300-94	Stop	44	4	9339-33	Distance
12	2	5671-9	Screw M5	45	1	9339-24	Cover
13	2	9300-99	Plastic stop	46	1	9339-62	Potentiometer
14	1	9300-88	Weight lever with bearing	47	1	9303-52	Pulley
15	2	19001-6	Ball bearing 6001-2z	48	1	9305-44	Locking screw
16	1	9303-54	Belt 55T	49	1	9300-66	Holder for cable
17	2	5861	Washer	50	1	9339-89	Chestbelt Polar Wear-link
18	1	5673-9	Screw M5	51	1	9338-21	Receiver Polar
19	1	9339-61	Brake belt	52	1	9339-57	Tension device, complete
20	1	9300-92	Bracket	53	2	9339-40	Bracket for tension device
21	1	9008-124	Spring	54	4	5671-19	Screw M5
22	1	9339-87	Spacer	55	1	14324-9	Screw M6
23	1	9303-51	Holder for potentiometer	56	1	5843-9	Nut M6
24	1	9339-86	Axle	57	1	9339-80	Instrument cover
25	2	9000-17	Spacer		1	9339-67	Power adaptor
26	2	5799	Nut		1	9338-20	USB serial adaptor
27	1	9339-22	Tension lever		1	9339-27	Communication cable, 1.8 m
28	1	14359	Screw M8		1	9339-39	Communication cable, 3 m (accessory)
29	1	19088-6	Bearing				
30	1	9100-21	Tension cylinder				
31	1	9339-32	Spacer				
32	1	9339-23	Belt control				
33	1	5844	Nut M8				



From serial no: WBK285907H

Pos.	Qty.	Art. No.	Description	Pos.	Qty.	Art. No.	Description
1	1	9300-50	Chain guard	19	1	9391-70	Digital meter
2	1	9300-52	Side guard	20	1	9391-26	Meter holder
3	1	9339-55	Wheel cover	21	1	9326-263	Cable
4	2	9304-32	Screw M5x25 mm	22	1	9391-3	Flywheel with freewheel sprocket
5	2	5675-9	Mounting screw LKT-TT 5x6.5mm	23	1	9000-17	-Spacer 5 mm
6	1	9300-57	Cover for frame	24	1	9106-13	-Sprocket, 14t
7	1	9391-1	Frame	25	1	9106-14	-Connection
8	2	9300-12	Screw	26	1	9300-18	-Axle, length 132 mm
9	1	9300-53	Holder for guard	27	2	19001-6	-Bearing 6001-2z
10	1	9391-55	Plastic cap, black	28	1	9000-15	-Locking ring SgH 028
11	1	9300-55	Chain 1/2 x 1/8", 116 l	29	1	9300-17	-Spacer 23 mm
12	1	9145-71	Handle, pair	30	1	9000-12	-Chain adjuster, pair
13	2	9371-71	Handcover	31	1	9326-166-1	Holder for sensor
14	2	8523-2	Dust cover for crank	32	1	9326-169	Sensor with cable
15	2	8523-115	Screw	1	1	9000-211	Calibration weight, 4 kg
16	1	9300-462	Steel crank set, complete with magnets				
17	1	8966-175	BB cartridge bearing				
18	4	5673-9	Screw				



Pos.	Qty.	Art. No.	Description	Pos.	Qty.	Art. No.	Description
1	1	9391-83	Table stand, height adjustable, complete	3	2	9000-29	Transport wheel, complete
2	1	9391-95	Upper part		1	9391-8-10	Screw set