

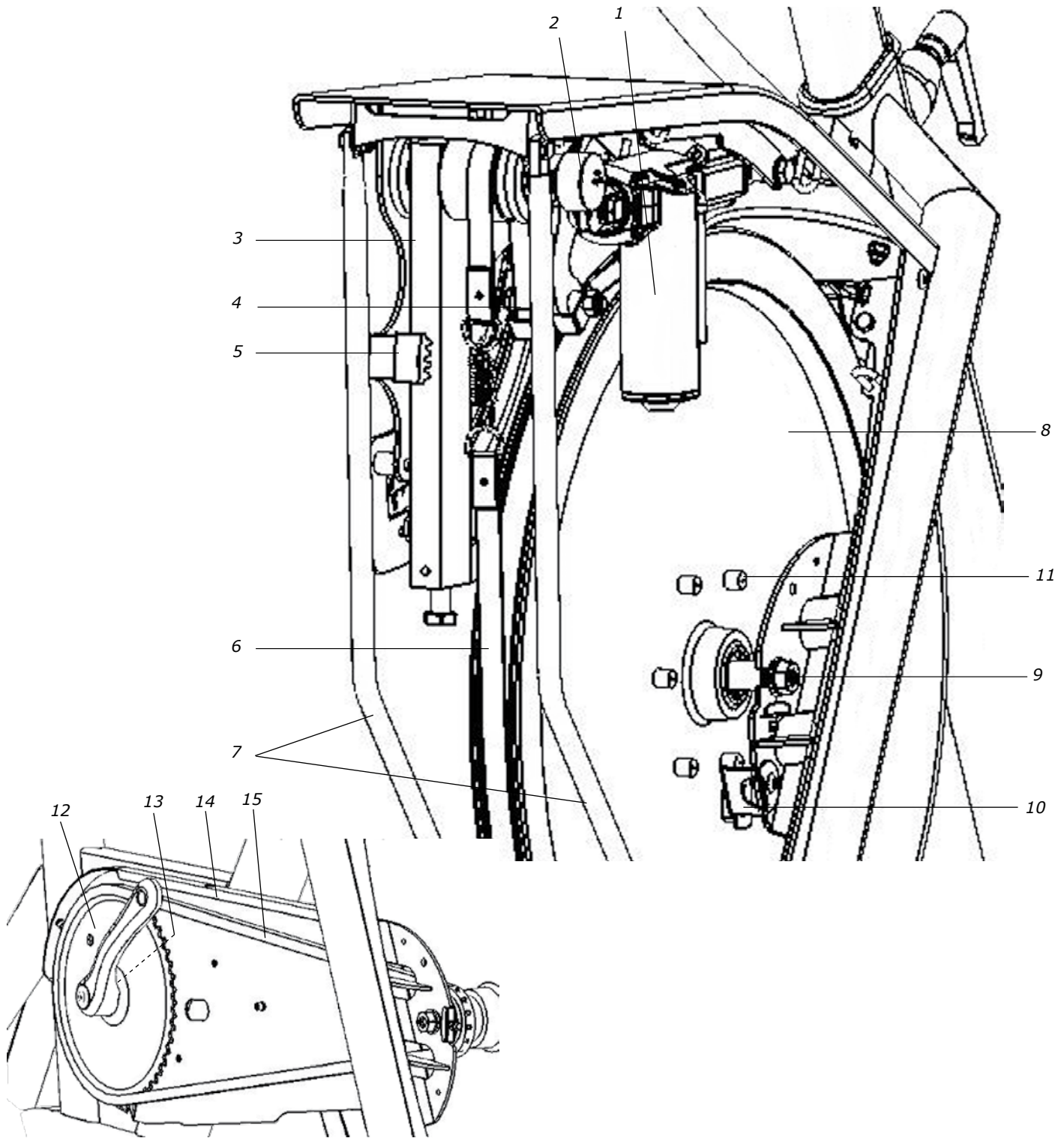


Fig: Chest belt



Fig: Power adaptor

Pos.	Qty.	Art. No.	Description	Pos.	Qty.	Art. No.	Description
1	1	9334-110	Saddle	15	1	9310-71	Lock to front cover
	1	9336-421	Saddle adaptor 22 mm	16	2	9328-1315	Bushing with hole
2	1	9311-23	Sledge, complete		1	9311-3	Handlebar with stem and clamp, complete
3	1	9311-24	-Locking handle black, M10x32	17	1	9311-33	-Handlebar stem
4	1	9311-21	Saddle post	18	1	9311-24	-Locking handle black, M10x32
5	2	8321-75	Pedals SPD with clips and strap	19	1	C2205419-120	-Reparto corse stem 120 mm Al
6	1	9301-3	Support tube rear, complete	20	1	C2305771-42	-Reparto corse handlebar
	2	9328-51	-Plastic cap		1	C2600206	-Handlebar tape black CORK
	2	9328-26	-Rubber foot with screw M8	21	1	9311-31	-Handlebar clamp
7	1	9301-4	Support tube front, complete	22	1	9311-32	Computer holder
	2	9328-51	-Plastic cap	23	1	9326-801	End cap with hole, black
	2	9328-26	-Rubber foot with screw M8	24	1	9000-104	Pole screw M5x12, black
	2	9328-37	-Transport wheel, complete	25	1	9311-165	Display LC4
8	1	9338-26	LED lamp		1	9311-166	Display LC4r
9	1	9310-72	Power switch	26	2	9310-27	Piston locking, complete
10	1	9310-595	Side cover rear, left		2	9100-289	-Locking handle blue, M10x50
11	1	9310-13	Pendulum scale 7 kp, complete	27	1	9310-630	Side cover front, left
	1	9310-15	-Scale	28	1	9310-605	Side cover rear, left
	1	9000-103	-Screw M5x12	29	1	9000-103	-Screw M5x12
12	1	9310-620	Side cover front, right, with recess for pendulum scale		1	9311-75	Chest belt
13	1	8243-7	Holder for cable		1	9328-183	Power adaptor AC 12 V, 2.5 A
14	1	9310-20	Front cover				



Pos.	Qty.	Art. No.	Description	Pos.	Qty.	Art. No.	Description
1	1	9310-56	Motor, complete	8	1	9300-3	Flywheel complete
2	1	9311-67	Potentiometer with cable	9	1	9300-24	-Flywheel suspension, complete
3	1	9310-45	Pendulum 7 kp, complete	10	1	9311-84	Sensor bracket with sensor, compl.
	1	9310-43	-Pointer	11	6	9326-164	Magnets
	1	9326-88	-Spring	12	1	9300-475	Crank set, 52T, 172,5 mm, Q 146 mm
4	1	9100-26	Tension cylinder	13	1	9300-480	Cartridge bottom bracket 68/110 mm
5	2	9300-99	Stop	14	1	9310-90	Inner chain guard
6	1	9310-94	Brake belt, complete	15	1	9310-118	Chain 9300, 120 L, with chain lock
7	2	9310-65	Stay				