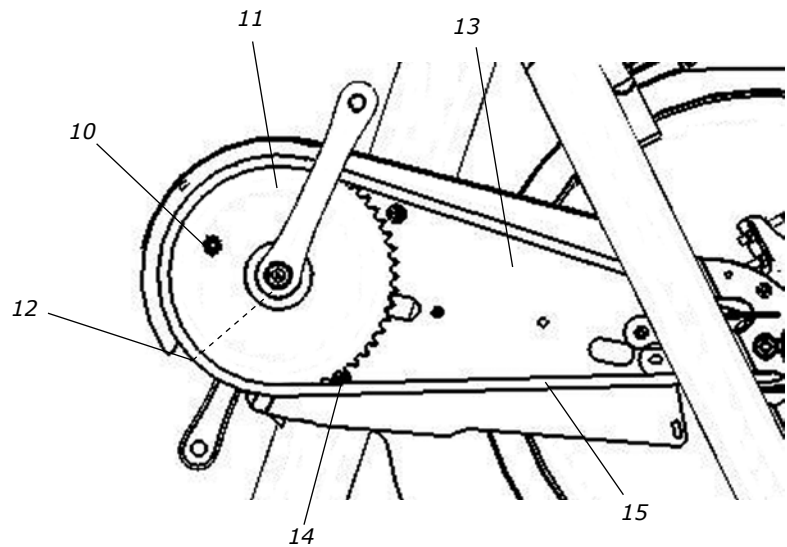
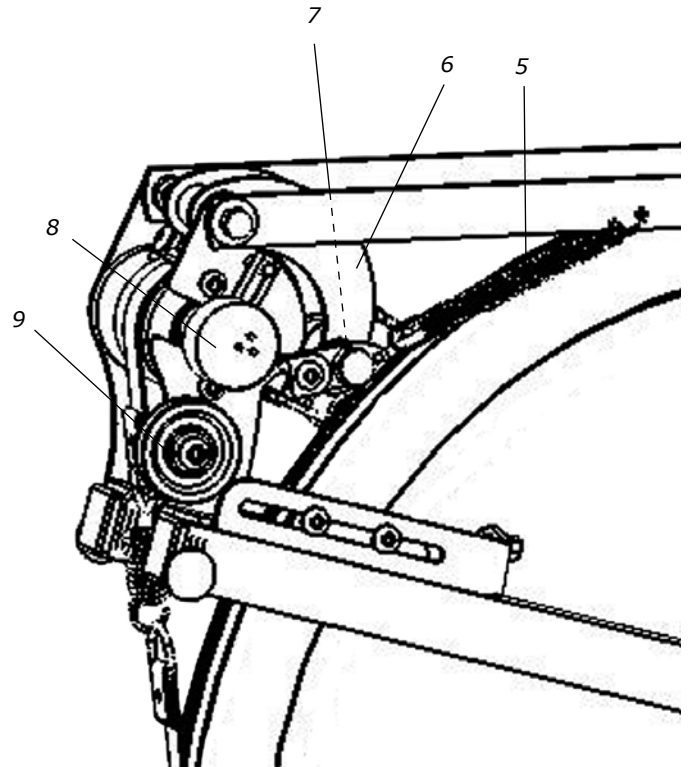
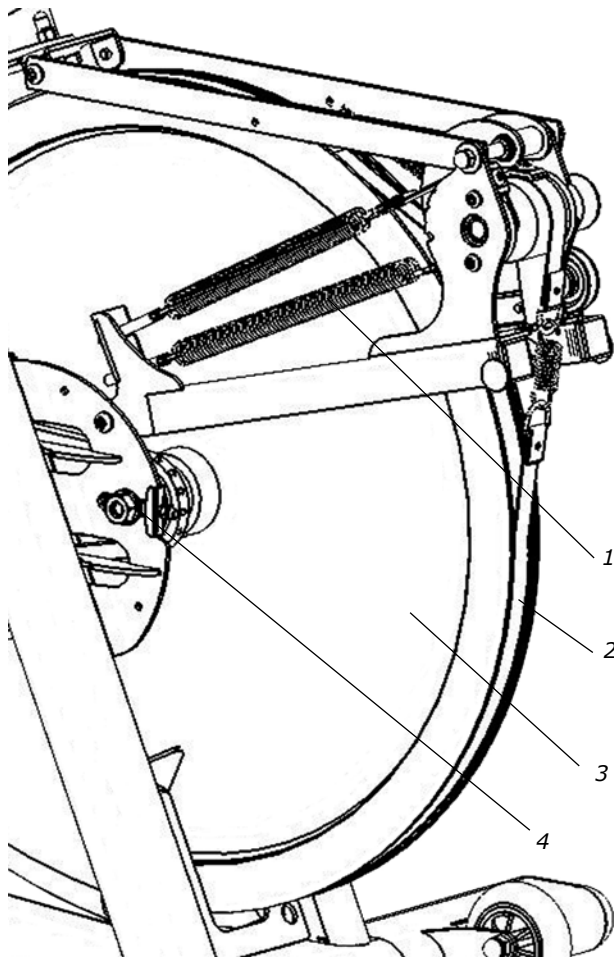


Fig: Chest belt with pulse transmitter (accessory)



Fig: Power adaptor SE (accessory)

Pos.	Qty.	Art. No.	Description	Pos.	Qty.	Art. No.	Description
1	1	9329-3	Seat for recumbent, complete	12	1	9311-167	Display RT2
2	1	9308-133	-Locking knob	13	2	9000-104	Pole screw M5x12, black
3	1	9337-182	-Pulse transmitter (some models)	14	1	9326-804	End cap with hole, black
4	1	9326-97	Lever for length adjustment	15	1	9311-86	Handlebar for recumbent, compl.
5	1	9301-145	Support tube rear, complete	16	1	74435-1	Pedals for recumbent, pair
	2	9309-51	-Plastic cap	17	1	9311-36	Side cover rear, right
	2	9328-26	-Rubber foot with screw M8	18	1	9311-610	Front cover RT
6	1	9301-155	Support tube front, complete	19	1	9311-37	Side cover rear, left
	2	9309-51	-Plastic cap	20	1	9000-103	-Pole screw M5x12, white
	2	9328-26	-Rubber foot with screw M8		1	9384-650	Power adaptor SE (accessory)
	2	9328-37	-Transport wheel, complete		1	9384-62	Power adaptor other countries (accessory)
7	2	9000-103	Pole screw M5x12, white		1	9311-75	Chest belt (accessory)
8	1	9328-26	-Rubber foot with screw M8		1	9000-211	Calibration weight 4 kg (accessory)
9	1	9311-142	Stop		1	9000-212	Calibration weight 2 kg (accessory)
10	1	9327-84	Cover				
11	1	9311-8	Resistance control unit, T-model, compl.				
	1	9311-44	-Wire adjustment				
	1	9311-45	-Rubber ball 32/M8, black				



Pos.	Qty.	Art. No.	Description	Pos.	Qty.	Art. No.	Description
1	2	9125-86	Spring	9	1	9384-27	Pulley
2	1	9311-73	Brake belt T-models, complete	10	1	9326-164	Magnet
3	1	9300-3	Flywheel, complete	11	1	9300-430	Crank steel, 52T, 170 mm standard
4	1	9300-24	-Wheel suspension complete set	12	1	9300-340	Cartridge bottom bracket 68/122 mm
5	1	9100-20	Spring for press arm	13	1	9311-6	Chain guard
6	1	9311-59	Press arm	14	1	9311-161	Sensor with cable
7	1	9328-43	Tension lever	15	1	9300-104	Chain 9300, 104 L, with chain lock
8	1	9311-67	Potentiometer				